

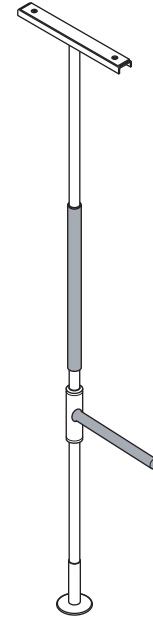
SuperPole™ with SuperBar™

Support Pole with Pivoting and Locking Bar

Technical Data Sheet

Product Specification

The support pole shall have a horizontal rail that can pivot and lock in five positions each 45° apart. The pivot feature on the product shall be unlocked by lifting the horizontal rail and relocked by releasing the horizontal rail. The horizontal rail shall be constructed of 1.5" tubing and extend 16" from the vertical pole. The support pole shall be installed using a tension fit with non marking rubber pads on the ceiling plate and base plate. The support pole shall be constructed of 1.5" tubing. The product shall have an anti-microbial white gloss powder coat finish. The product shall have a weight capacity of 300 lbs/136 kg if using the standard model or 450 lbs/205 kg for the bariatric model. The support pole shall be HealthCraft Products model SP-____ (see table below for appropriate product code).



Key Features

- Tension Fit
- Lift to Unlock/Release to Lock
- Locks every 45°
- Anti-Microbial Powder Coat Finish
- No Damage Installation

Codes and Standards

- ADA Compliant Rail Diameter
- ADA Compliant Structural Strength (ADAAG 4.26.3)

Specified Model

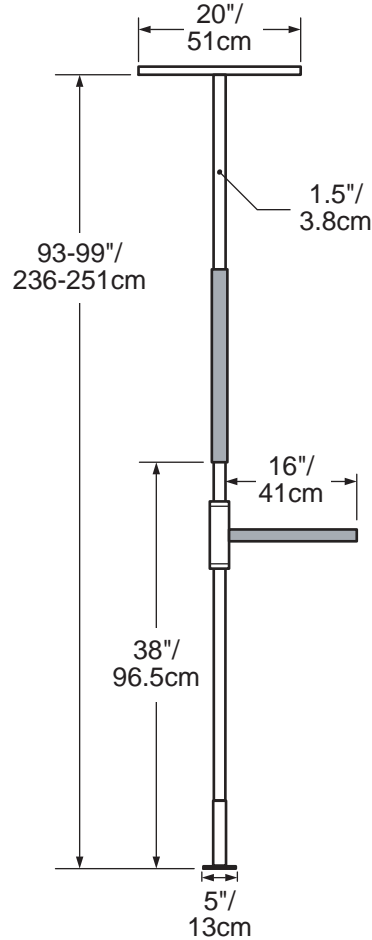
Model	Weight Capacity	Ceiling Height	Material
SP-S	300 lbs / 136 kg	93-99" / 236-251cm	Steel
SP-HD	450 lbs / 205 kg	93-99" / 236-251cm	
SP-CUT	N/A	<93" / 236cm	

SuperPole™ with SuperBar™

Support Pole with Pivoting and Locking Bar

Technical Data Sheet

Product Dimensions



Shipping Dimensions

Part	Height (H)	Width (W)	Depth (D)	Length (L)	Diameter (∅)	Weight
Pole (-S)	N/A	N/A	N/A	96" / 243.8cm	2.5" / 6.35cm	13lbs / 5.9kg
Pole (-HD)	N/A	N/A	N/A	96" / 243.8cm	2.5" / 6.35cm	14lbs / 6.4kg
Parts Box	3" / 7.6cm	9" / 22.9cm	21" / 53.3cm	N/A	N/A	11lbs / 5.0kg

