

The Kent Range of Metering Products

T140/PG100 Pulse Units for H4000, S2000, C4000, C4200 Meters

The H4000 Woltmann, S2000 Commercial single jet and C4000 / C4200 Combination meters, all have the facility for various types of pulse transmission compatible with a wide range of data collection equipment when fitted with the T140/PG100 pulse output unit.

Please note: Although these pulse units are of robust construction, the T140/PG100 pulser units do contain a glass reed switch, therefore they should be handled with care.

The T140/PG100 is a uni-directional* dovetail reed switch sensor for fitting to both copper can and polymer counters. *Produces pulses for forward and reverse with no direction identification.



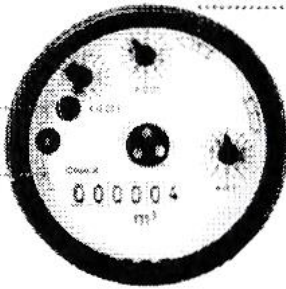
Counter Versions

Users should check the counter option to identify the pulse output options available. Only outputs for "reed" are suitable for the T140/PG100 pulse unit.

Pulse output 40mm - 125mm				
Option	1:1 Optical	1:10 Reed	1:100 Reed	1:1000 Reed
A	✓			
B	✓		✓	✓
C	✓	✓		✓

Pulse output 150mm - 300mm				
Option	1:1 Optical	1:10 Reed	1:100 Reed	1:1000 Reed
A	✓			
B	✓		✓	✓
C	✓	✓		✓

1 pulse/
10 litres
(reed)

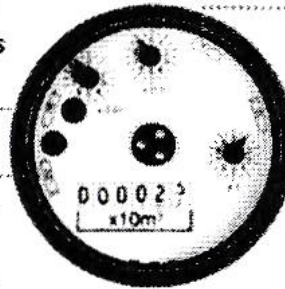


1 pulse/
100 litres
(reed)

1 pulse/
1000 litres
(reed)

1 pulse/
1 litre
(optical)

1 pulse/
100 litres
(reed)



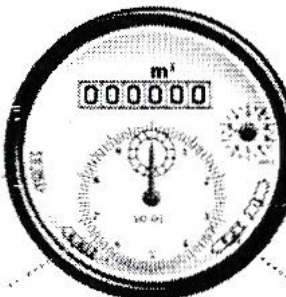
1 pulse/
1000 litres
(reed)

1 pulse/
10000 litres
(reed)

1 pulse/
10 litres
(optical)

Counters fitted to meters 2005 onwards

1 pulse/
1 litre
(optical)

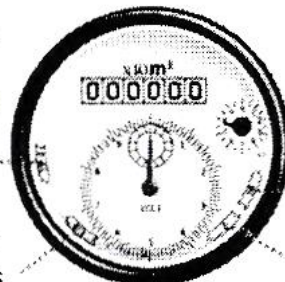


1 pulse/
1000 litres
(reed)

1 pulse/
100 litres
(reed)

1 pulse/
10 litres
(reed)

1 pulse/
10 litre
(optical)



1 pulse/
10000 litres
(reed)

1 pulse/
1000 litres
(reed)

1 pulse/
100 litres
(reed)

Counters fitted to meters pre 2005



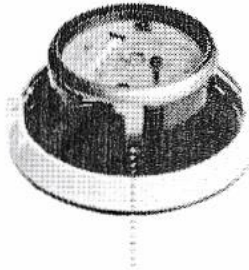
elster

T140/PG100 Pulse Units

INSTRUCTION LEAFLET

Pulse Fitting Unit

There are two opposing screws holding the shroud in place. Remove these and lift the shroud clear from the counter assembly. This will expose the plastic sensor holder surrounding the copper can counter. Select the appropriate pulse position as detailed on the dial face and remove the plastic closure panel from the holder, exposing the copper can.



Closure Panel removed exposing copper can (magnet position).



PG100 fitted in position.

Hold the reed switch pulse unit at cable entry point in a vertical position and clip into place by locating the front dovetail edge, under the locating lug, applying pressure towards the counter, until the rear dovetail edge snaps under the sensor holder. The pulse unit is now self-positioned with the internal magnet. Run the cable anti-clockwise in the yellow base ring, to the most convenient exit slot, ensuring the small cable restraint is enclosed within the base ring. Re-fit the shroud with the two screws.

Note:

The counter must be aligned with the m3 marking on the dial face, adjacent to the lid hinge position, to allow the shroud to be re-fitted correctly.

Maximum output ratings:

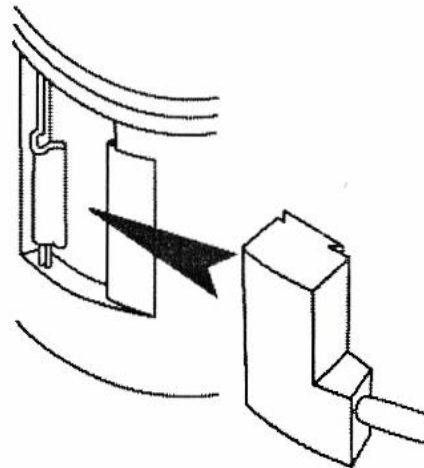
Reed switch rating: 24 Vdc maximum working voltage

Maximum Current: 50 mA

Maximum Power: 0.25 Watts

Switch closure duty cycle: 15% on, 85% off typically

Wire Colour	Function
Red	Pulse output
Blue	Common
Black	Tamper 1 Optimal
Yellow	Tamper 2 Optimal



Securely clip dovetail probe into position with cable end lowest

Elster Metering Limited
 130 Camford Way
 Sundon Park
 Luton, Bedfordshire
 LU3 3AN
 United Kingdom
 T: +44 (0)1582 846400
 F: +44 (0)1582 564728
 water.metering@gb.elster.com
 www.elstermetering.com

The Company's policy is one of continuous improvement and the right is reserved to modify the specifications without notice.