

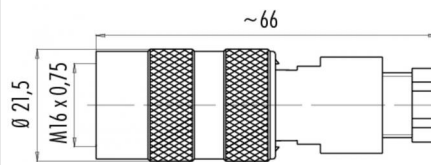
Product description **Contacts: 6 DIN, female cable connector, cable outlet 4 - 6 mm, silver plated contacts**

Area **M16 IP67 Series 723**
 Order number **09 0122 25 06**

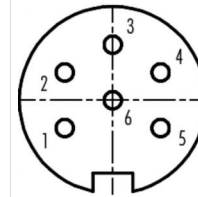
Illustration



Scale drawing



Contact arrangement



	X	Y
1	-3,03	-1,75
2	-3,03	1,75
3	0,00	3,50
4	3,03	1,75
5	3,03	-1,75
6	0,00	0,00

You can find the component part drawing on the next page.

Technical data

General values

Connector design	female cable connector
Connector locking system	bolted
Termination	solder
Wire gauge (mm)	0,75 mm ²
Wire gauge (AWG)	20
Cable outlet	4,0 - 6,0 mm
Upper limit temperature	95 °C
Lower limit temperature	-40 °C

Electrical values

Rated current (40 °C)	5 A
Rated voltage	250 V
Rated impulse voltage	1500 V
Pollution degree	1
Overvoltage category	I
Insulating material group	III
Volume resistivity	≤ 5 mΩ
Insulation resistance	≥ 10 ¹⁰ Ω
EMC compliance	Shielding is not possible
Degree of protection	IP67
Mechanical operation	> 500 Mating cycles

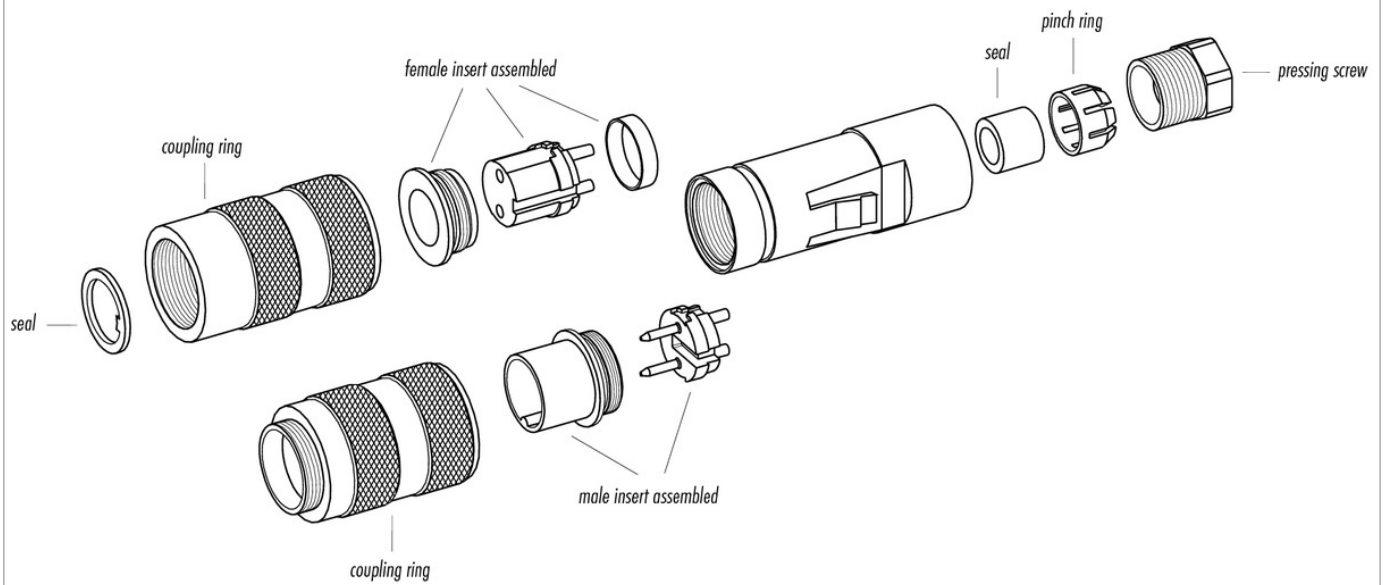
Material

Contact material	CuSn (bronze)
Contact plating	Ag (silver)
Contact body material	PBT (UL 94 V-0)
Housing material	PA

Product description **Contacts: 6 DIN, female cable connector, cable outlet 4 - 6 mm, silver plated contacts**

Area **M16 IP67 Series 723**
Order number **09 0122 25 06**

Component part drawing



Product description **Contacts: 6 DIN, female cable connector, cable outlet 4 - 6 mm, silver plated contacts**

Area **M16 IP67 Series 723**
Order number **09 0122 25 06**

Security notices

The connector must not be connected or separated under load. Non-observance and incorrect use can result in personal injury.

The connectors are designed for use in plant, control system and electrical equipment. The end user is responsible for checking whether the connectors are suitable for use in other applications.

Connectors used in electrical circuits containing hazardous life parts must only be assembled and used by or under the supervision of persons with the requisite electrotechnical training, taking the applicable regulations and standards into account.

Connectors with degree of protection IP 67 and IP 68 are not suitable for use under water. When used outdoors, the connectors must be separately protected against corrosion. For further information about IP degrees of protection refer to 'Technical support' in the Download Centre.

The connector is not suitable for mains voltages. Please observe the pollution degrees and the overvoltage category. For further information refer to 'Technical support' in the Download Centre.

To lock the cable connector to the equipment connector, the threaded ring is tightened until it is 'finger-tight' (approx. 50 cNm).